

Tuttnauer Dental

Bringing **95 YEARS**
of Professionalism into your clinic

TIVA2 | TIVA2-H

TIVA Line



**Welcome to the TIVA2
Washer-Disinfector
Designed to simplify
your work and ensure
the safety of your
patients and your staff.**

The fully-automatic washer-disinfector for
dental clinics and labs everywhere

TIVA2

Counter-Top Washer

Chamber capacity: 65 liters

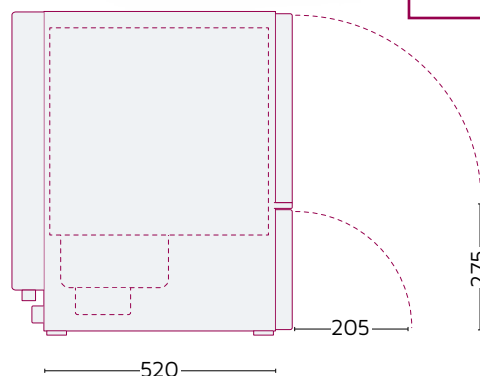
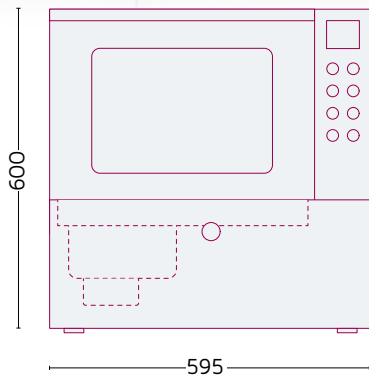
Dimensions (WxDxH):

595 x 520 x 600 mm

23.4" x 20.4" x 23.6"



Stainless steel door without drying system



Watch and monitor the washing and disinfection process through our glass doors!

Simple Operation and Monitoring

- Smart and efficient design
- User-friendly and easy to use
- Data transfer via USB and R232
- Two PT100 temperature sensors
- Standard electrical connection
- Convenient add-on printer
- Operated by a touch-keyboard and 3.5" LCD graphic display interface

Optimal Results

- Three predefined operation programs
- 37 customizable programs to choose from
- Thorough drying using a dedicated blower
- Integrated steam condenser
- Real-time indication of water level and quality

TIVA2-H

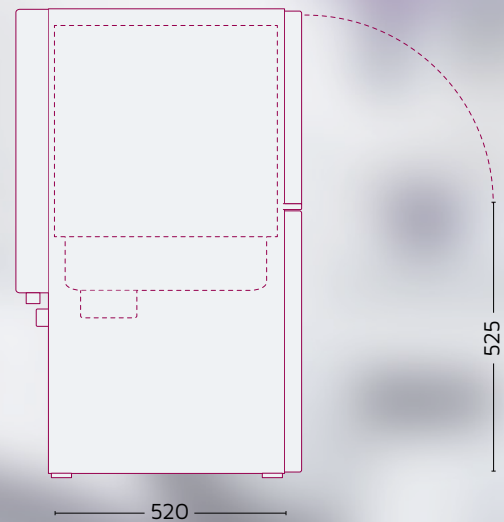
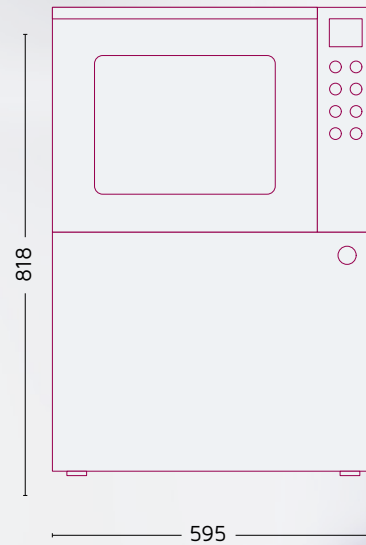
Under-Counter Washer

Chamber capacity: 65 liters

Dimensions (WxDxH):

595 x 520 x 818 mm

23.4" x 20.4" x 32.2"



Reliable Functionality

- Robust 316L stainless steel chamber
- Durable and transparent glass doors
- 0.9 kW heaters for comprehensive drying
- Advanced water softening system
- Energy efficient and cost effective

Easy to Clean and Maintain

- The only washer with a water-emptying total system (ETS)
- Easy-to-remove and wash spray arms
- Long-lasting components require minimal servicing

Technical features

○ standard + optional / not available

FEATURES	TIVA2	TIVA2 Stainless steel door without drying system	TIVA2-H
External Lab. Certificate for validation of Type Test according to Norms EN ISO 15883-1/2	○	○	○
DVGW Certificate plumbing system, designed to isolate the potable water pipeline system (water gap) as prescribed by European Standard EN 1717	○	○	○
Manual door with interlock	○	○	○
Washer chamber made of high quality stainless steel, AISI 316L	○	○	○
USB SLAVE interface for PC	○	○	○
USB HOST interface for FLASH DRIVE	○	○	○
RS232 Interface for external cycles documentation	○	○	○
Parallel Interface for printer	○	○	○
Touch panel with color graphic display	○	○	○
Chamber wash pump flow rate	100 L/mn	100 L/mn	100 L/mn
Flow rate: 30W Drying fan with HEPA filter (H14).	18 m ³ /h	/	18 m ³ /h
Absorbed power	2,9 kW	2,9 kW	2,9 kW
Dosing pumps for detergents with flowmeters and level-sensors: standard - 1, optional - up to 2 with the TIVA2 and up to 3 with the TIVA2-H	1/2	1/2	1/2/3
Water-conductivity measuring	+	+	+
External printer for process-documentation	+	+	+
High-luminosity chamber LED light	+	+	+
Demineralized/hot water connection	+	+	+
Internal detergent tank(s)	0,6 L	0,6 L	5 L

Main Baskets and Input Configurations

Capacity for washing cycle:

With hand-pieces - up to 8 small or medium cassettes or up to 3 large cassettes.

Without hand-pieces - up to 16 small or medium cassettes or up to 6 large cassettes.



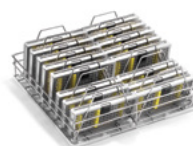
CONFIGURATION 1

- Standard washing basket
- Vertical basket for mirrors and instruments
- 2 x Insert for 3 Large Cassettes
- Net basket for small items



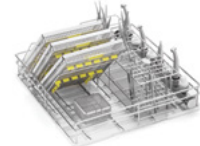
CONFIGURATION 2

- Washing Basket + Holder for 8 Hand-pieces
- Vertical basket for mirrors and instruments
- Insert for 8 Trays or 8 Cassettes



CONFIGURATION 3

- Standard washing basket
- 2 x Insert for 8 Trays or 8 Cassettes



CONFIGURATION 4

- Washing Basket + Holder for 8 Hand-pieces
- Vertical basket for mirrors and instruments
- Insert for 3 Large Cassettes
- Net basket for small items

Tuttnauer, renowned global leaders in infection control solutions with more than

95 years' experience

Products distributed to clinics, hospitals and research institutions in more than

140 countries

TUTTNAUER, YOUR ONE-STOP-SHOP FOR ALL YOUR INFECTION CONTROL NEEDS.

Let us introduce you to our complementary family of sterile processing products to ensure a comprehensive process from start to end.



Sealing Machine



T-Edge



Water Distiller



Ultrasonic Cleaner



Cleaning Indicator



International Sales and Marketing

E-mail: info@tuttnauer.com

www.tuttnauer.com

Tuttnauer Europe b.v.
Hoeksteen 11, 4815 PR
PO Box 7191, 4800 GD Breda
The Netherlands
Tel: +31 765 423 510
Fax: +31 765 423 540
E-mail: info@tuttnauer.nl

Tuttnauer USA Co.
25 Power Drive,
Hauppauge, NY 11788
Tel: +800 624 5836, +631 737 4850
Fax: +631 737 0720
E-mail: info@tuttnauerUSA.com

Distributed by:



Learn from our Experts
Join our blog tuttnauer.com/blog

